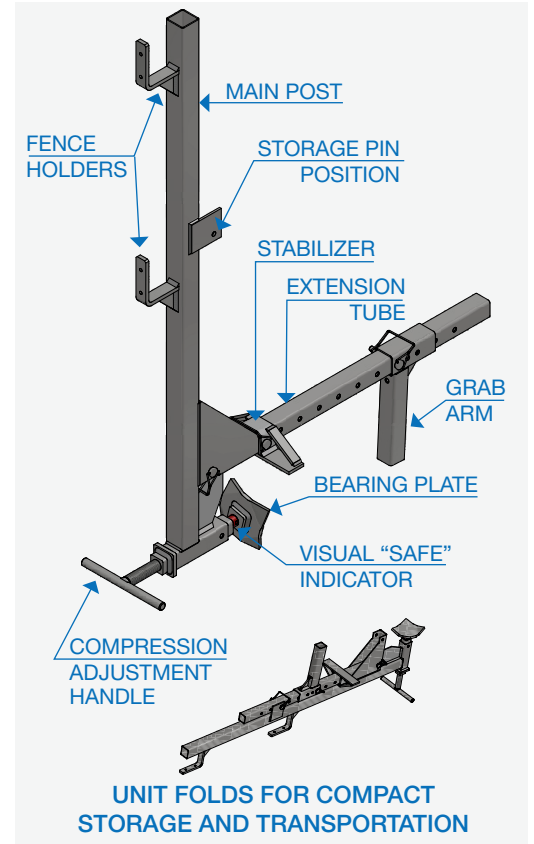
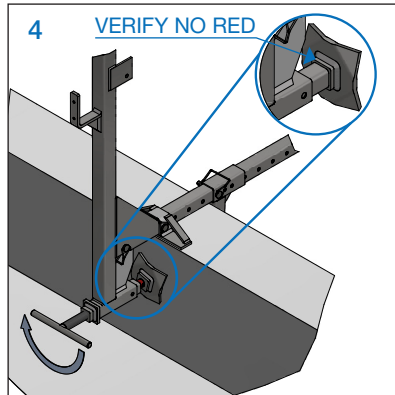
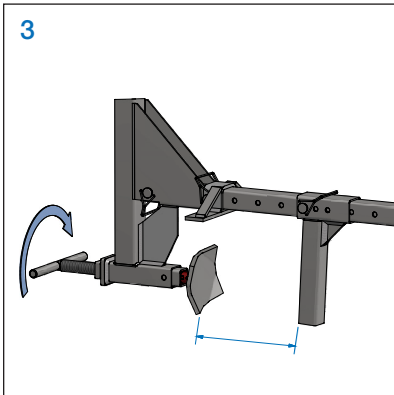
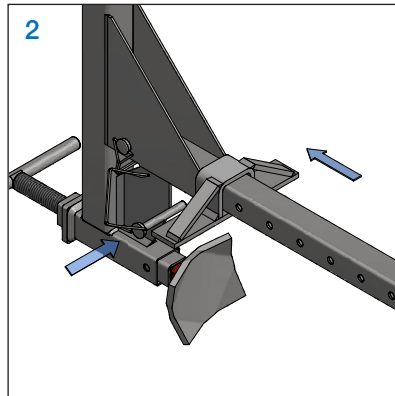
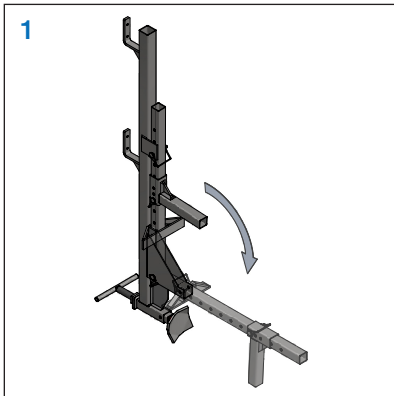


INSTALLATION



STEP 1

Remove the spring locking pin from the Storage Position and rotate the Extension Tube down until it is fully open.

STEP 2

Slide the Stabilizer into the locked position and insert the spring locking pin to secure in place.

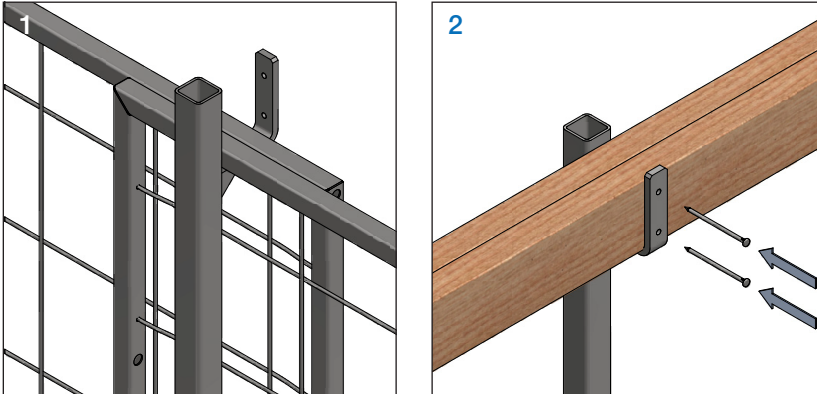
STEP 3

Turn the Compression Adjustment Handle counterclockwise to retract the Bearing Plate fully and adjust the Grab Arm to the nearest position greater than the curb thickness.

STEP 4

Position the Curb Grab over the curb with the stabilizer resting flush to the top of the curb. Hold the Curb Grab plumb and turn the compression adjustment handle clockwise until the bearing plate is tight to the face of the curb. Verify there is no red showing at the visual "safe" indicator. Turn the compression adjustment handle clockwise until the red is no longer visible.

RAILINGS



STEP 1

Connect the Speed Fence to the Fence Holder as per the Speed Fence installation instructions.

STEP 2

Slide 2 x 4 (38 mm x 89 mm) lumber through the Fence Holders and nail with (2) 2 1/2" long common nails.

When all the steps are completed, the Curb Grab is ready for the Speed Fence or temporary guardrail to be installed

Maximum spacing of Curb Grab not to exceed 9' (2743 mm)

WEIGHT: 27 lbs / 12.2 kg

MAX CURB: 21" / 530 mm

ALWAYS REFER TO GENERAL SAFETY NOTES BEFORE INSTALLATION

SPEED  **EDGE**

FOR TECHNICAL ASSISTANCE:

info@speededge.ca

905-857-9888

speededge.ca