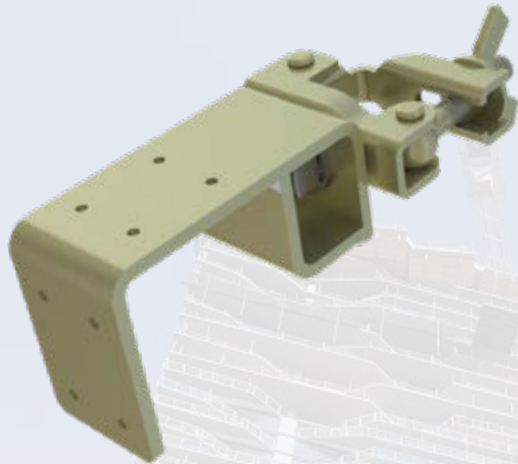


LUMBER BRACKET



Enabling a strong connection for wood toe board or rails to the Speed Post and High Post

The Lumber Bracket is designed to easily install on both the Speed Post and High Post and allow fast and secure install of two overlapping 2x4 or 2x6 lumber or plywood toe board or rails.

FAST. SIMPLE. SAFE.

The Lumber Bracket clamps securely to the Speed Post (or High Post) with a wingnut so no tools are required.

The hook slides down over wood boards and it secures the boards in place with either nails or wood screws. The Lumber Bracket allows for wood boards to be easily installed flush to the slab or soffit, or to match the slope of stairs or ramps. This makes cycling fast, and reinstalls reliable and safe.

Contact us today for more information.

