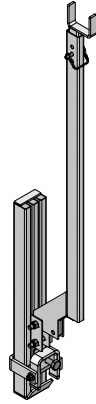
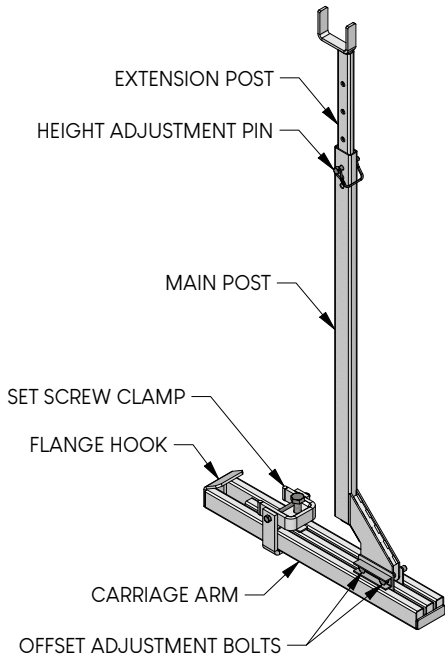


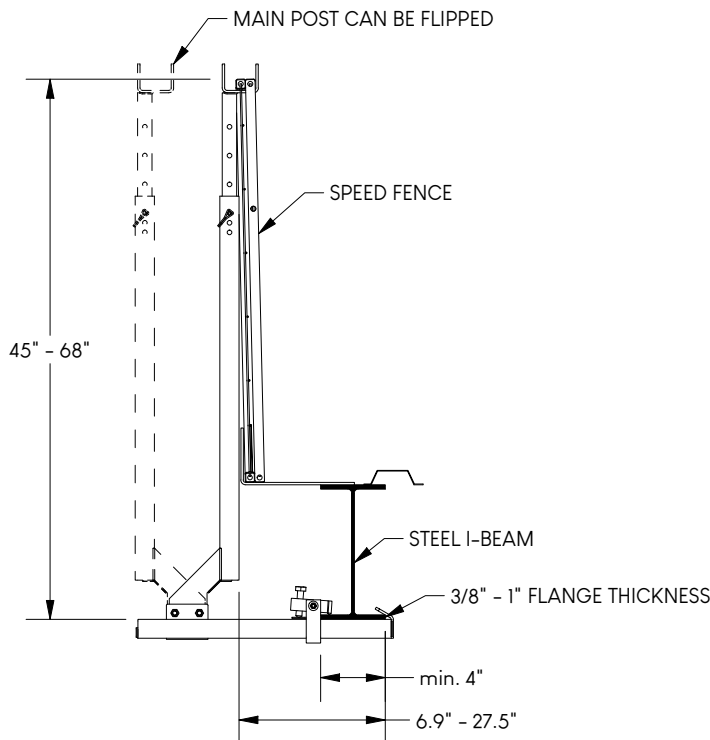
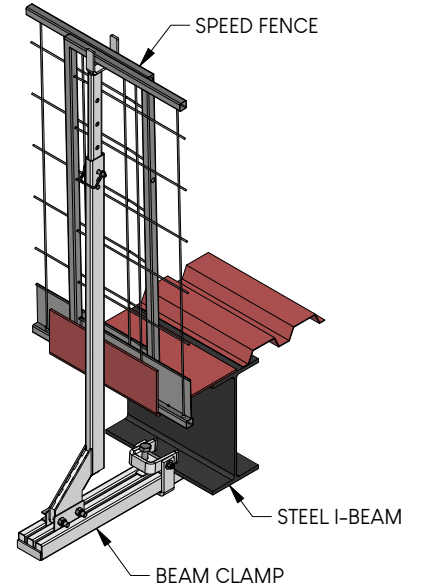
# BEAM CLAMP

# BC

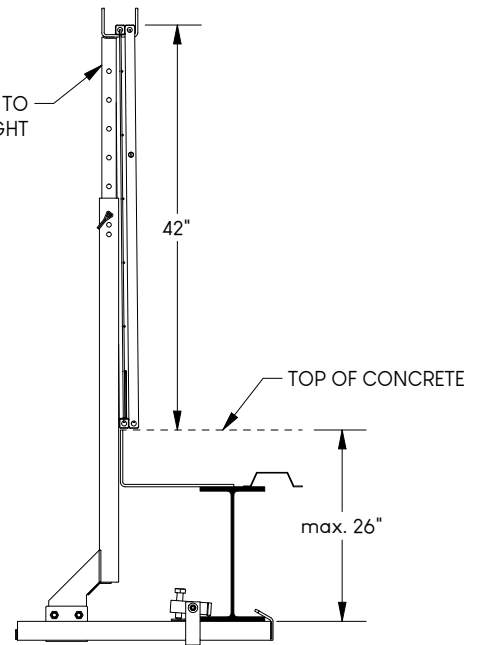
Steel I-Beam Mounting Guardrail Post



UNIT FOLDS FOR COMPACT STORAGE AND TRANSPORTATION



SET EXTENSION POST HEIGHT TO RAISE FENCE ABOVE POUR HEIGHT



POUR APPLICATION

Compliant with all OSHA & Cal/OSHA load requirements for Construction Projects.

\*Maximum post spacing applies when the guardrail system consists of only Speed Edge products.

Please inquire regarding compliance in other jurisdictions or for special case scenarios.

Refer to manual for complete installation instructions.

ALL MEASUREMENTS IN inches, U.N.O.

Weight	30.0 lbs
*Max. Spacing	9' 0"