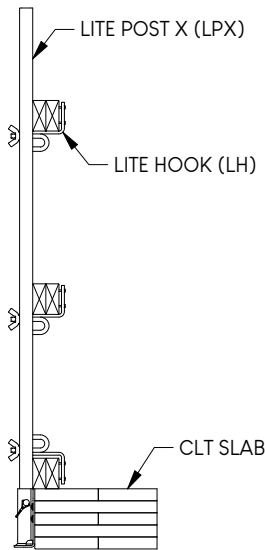
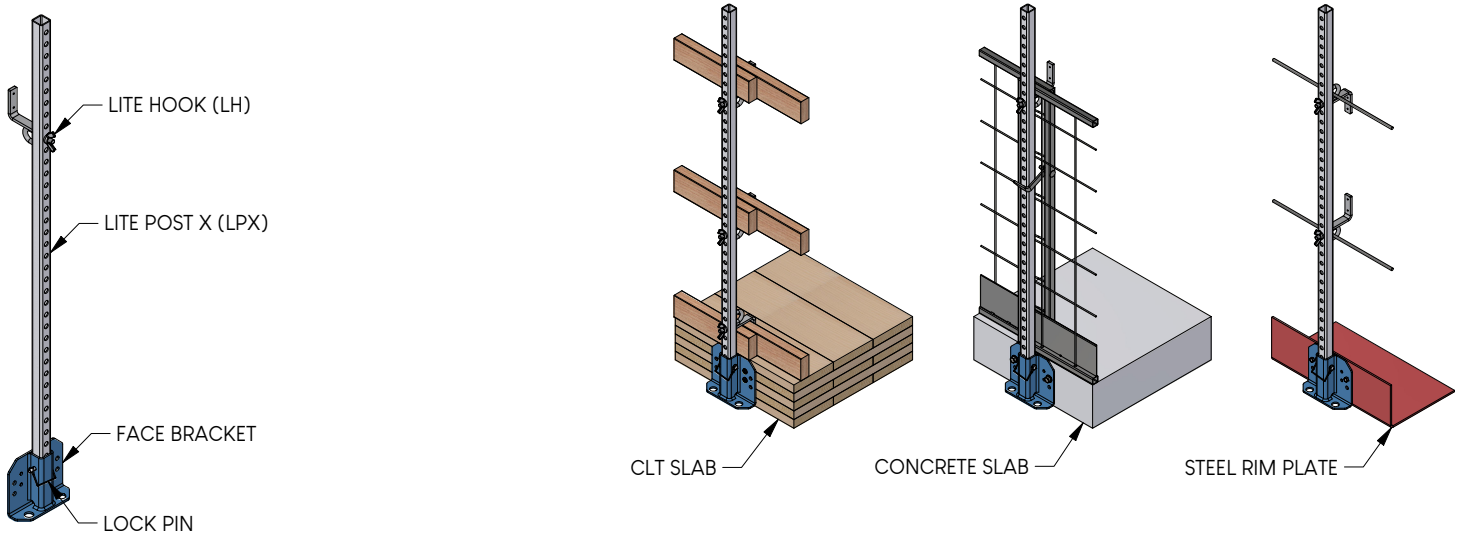


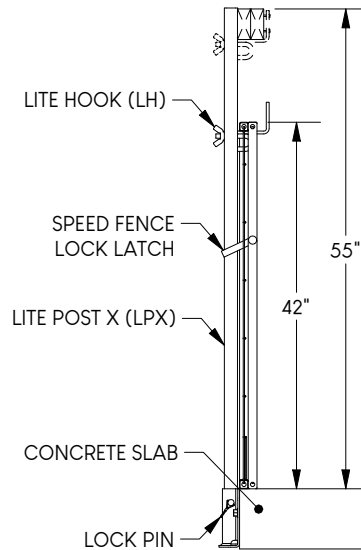
FACE BRACKET

FB

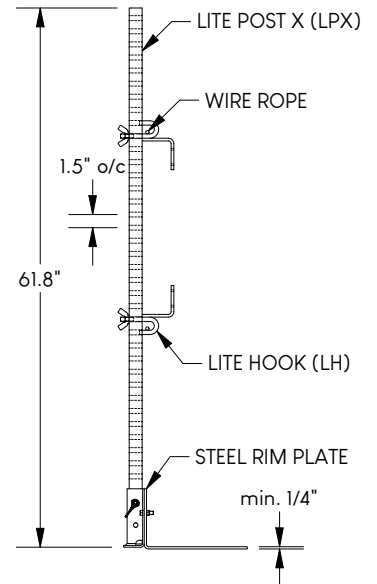
Universal Face-Mounting Bracket



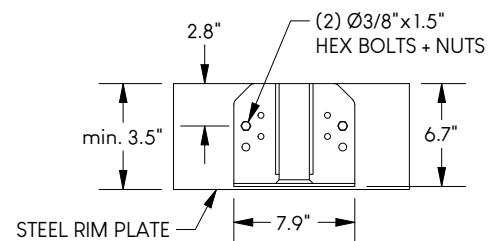
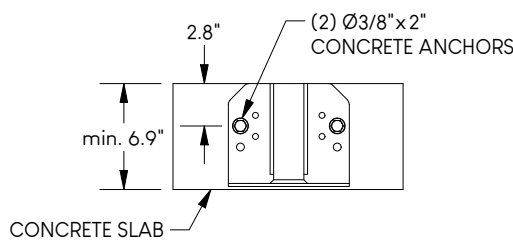
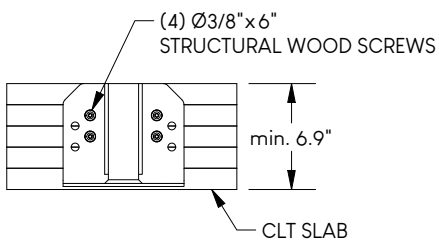
WOOD APPLICATION



CONCRETE APPLICATION



STEEL APPLICATION



Compliant with all OSHA & Cal/OSHA load requirements for Construction Projects.

*Maximum post spacing applies when the guardrail system consists of only Speed Edge products.

Please inquire regarding compliance in other jurisdictions or for special case scenarios.

Refer to manual for complete installation instructions.

ALL MEASUREMENTS IN inches, U.N.O.

Weight	5.3 lbs
*Max. Spacing	9' 0"