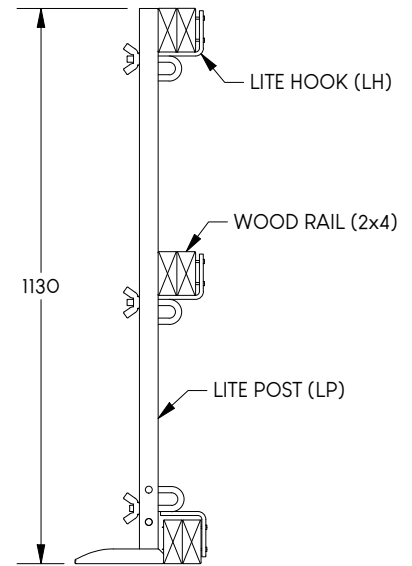
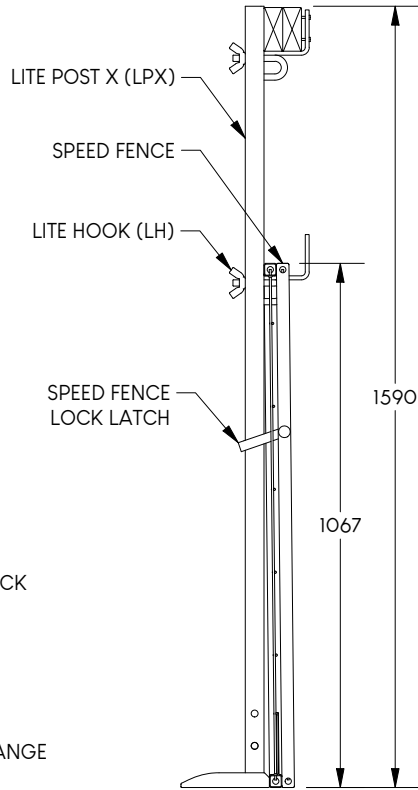
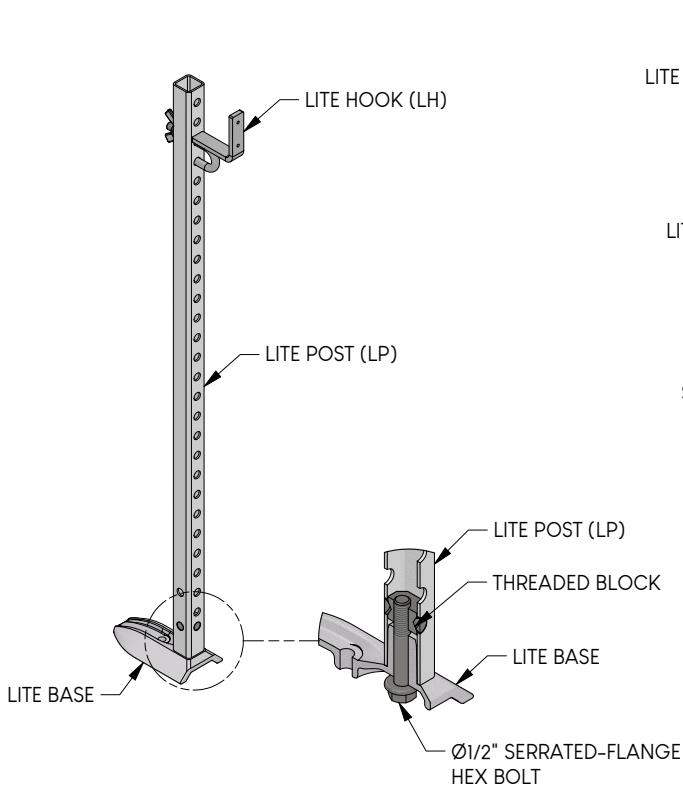


LITE BASE

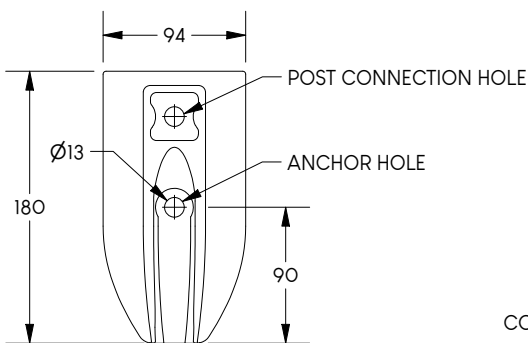
LB

Lightweight Guardrail Post Base

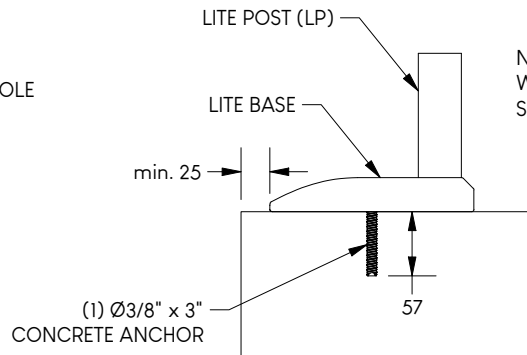


SPEED FENCE APPLICATION

WOOD RAIL APPLICATION



TOP VIEW



FASTENING TO CONCRETE

NOTE:
WHEN USED WITH THE LITE POST X (LPX), CONTACT
SPEED EDGE FOR ANCHORAGE REQUIREMENTS.

Compliant with load requirements of all Canadian Provincial Regulations for Construction Projects.

*Maximum post spacing applies when the guardrail system consists of only Speed Edge products.

Please inquire regarding compliance in other jurisdictions or for special case scenarios.

Refer to manual for complete installation instructions.

ALL MEASUREMENTS IN mm, U.N.O.

Weight	1.6 kg
*Max. Spacing	2743 mm