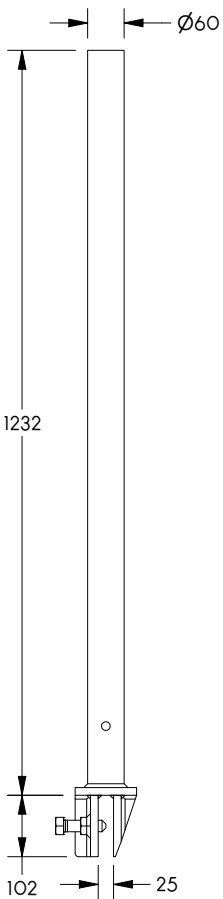
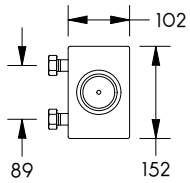
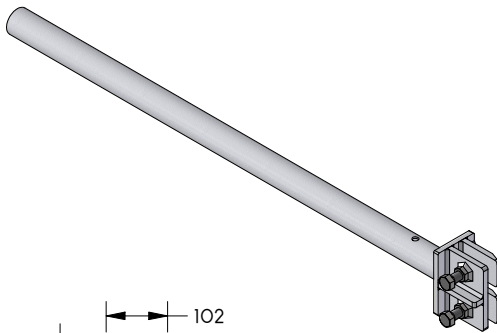


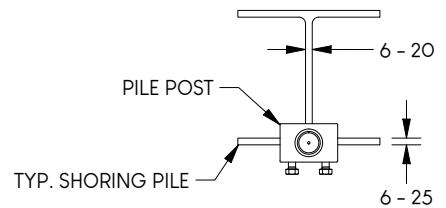
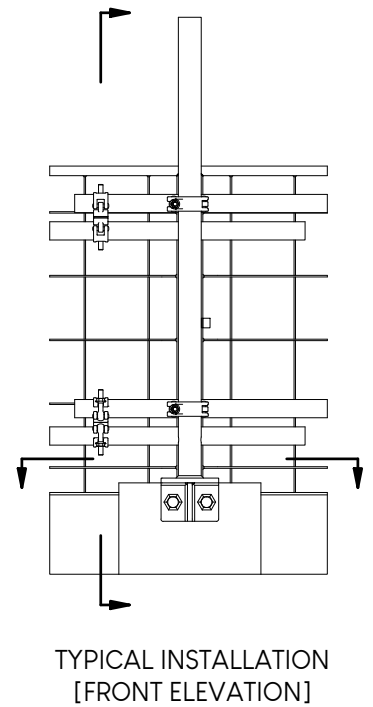
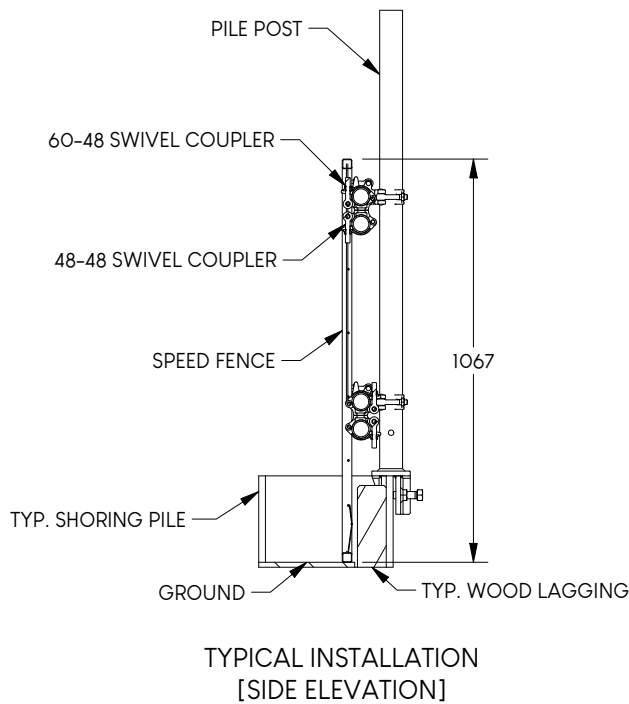
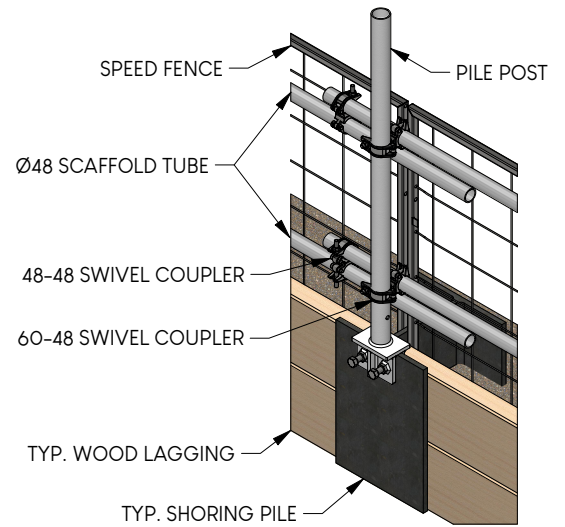
# PILE POST

PP

Steel Flange Mounting Post



MAX. PILE SPACING: 3650



Compliant with load requirements of all Canadian Provincial Regulations for Construction Projects.

Please inquire regarding compliance in other jurisdictions or for special case scenarios.

Refer to manual for complete installation instructions.

ALL MEASUREMENTS IN mm, U.N.O.

Weight	12.1 kg
--------	---------