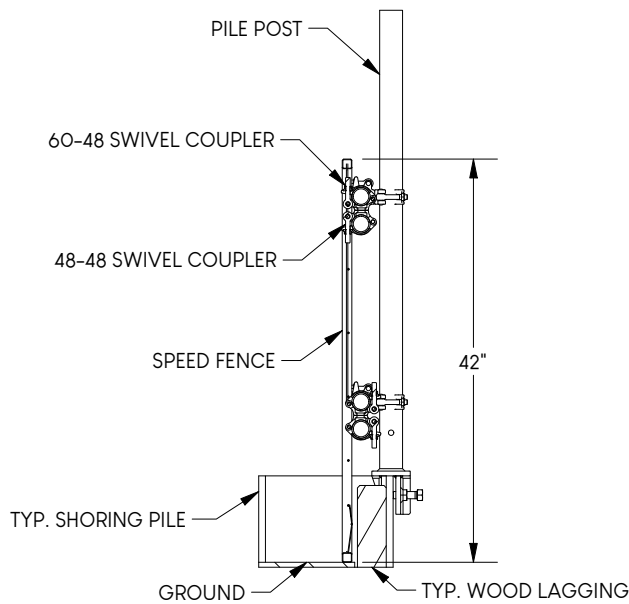
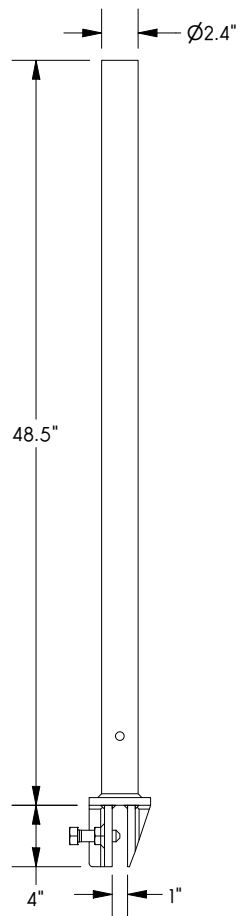
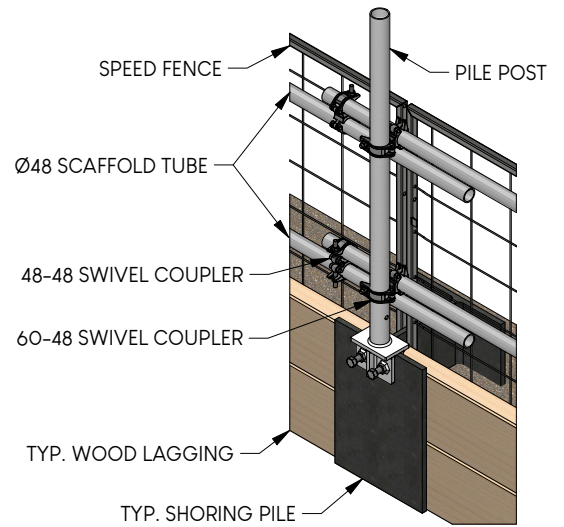
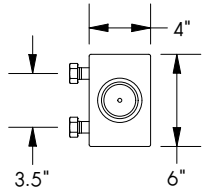
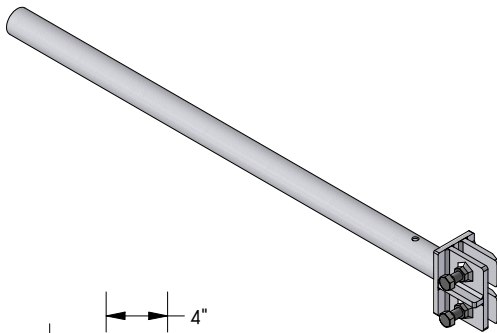


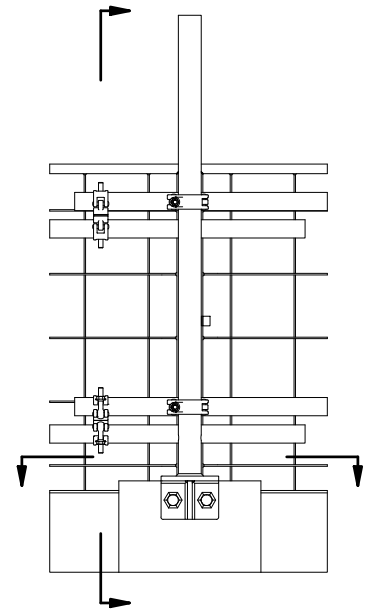
PILE POST

PP

Steel Flange Mounting Post

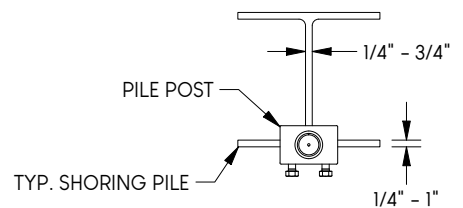


TYPICAL INSTALLATION
[SIDE ELEVATION]



TYPICAL INSTALLATION
[FRONT ELEVATION]

MAX. PILE SPACING: 12' 0"



Compliant with all OSHA & Cal/OSHA load requirements for Construction Projects.
Please inquire regarding compliance in other jurisdictions or for special case scenarios.
Refer to manual for complete installation instructions.

ALL MEASUREMENTS IN inches, U.N.O.

Weight	26.7 lbs
--------	----------