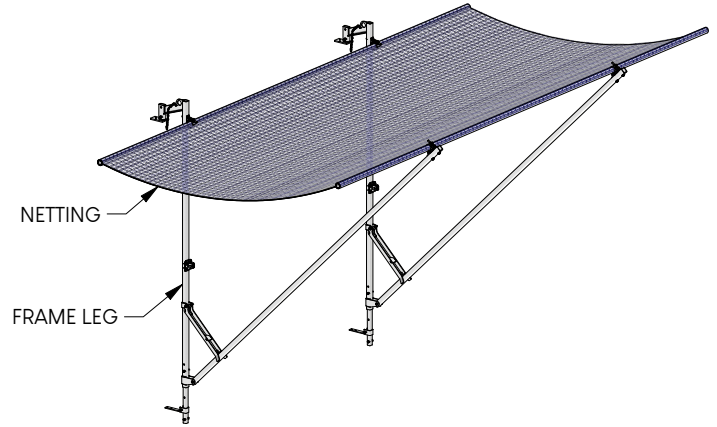
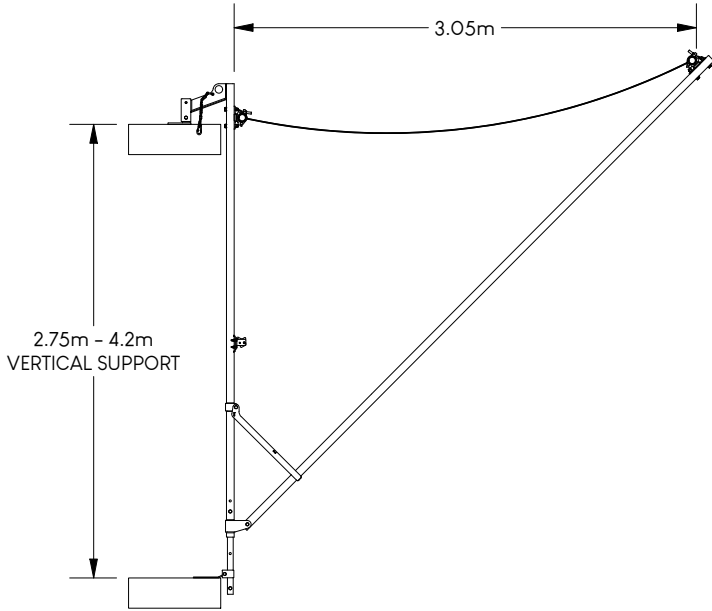


# SPEED FAN

SF

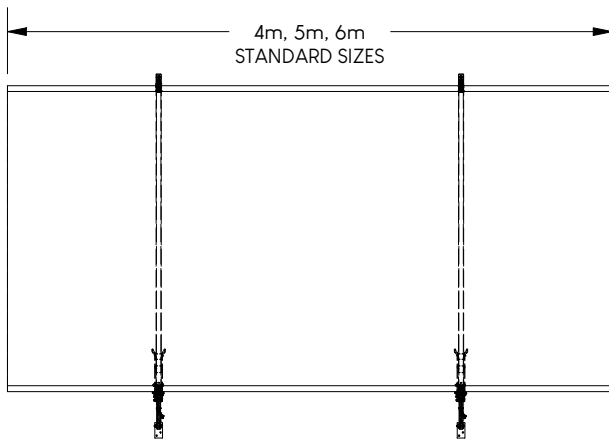
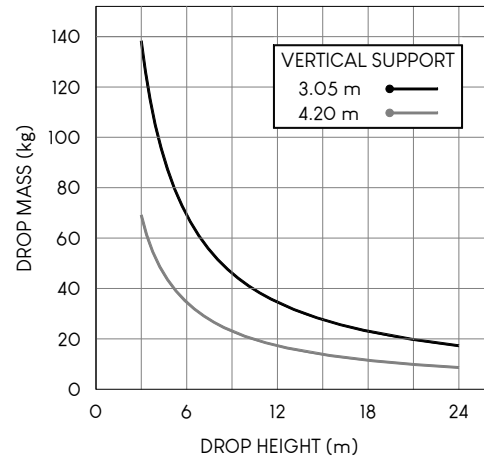
## Extended Horizontal Debris Net



**DESIGN LOADS:**

- MAXIMUM WIND LOAD.....25 MPa
- MINIMUM SLAB CONCRETE STRENGTH.....0.8 kN/m

**SYSTEM CAPACITY**



**CONCRETE FASTENER OPTIONS**

TOP SHOE / ANCHOR POINT	HILTI KWIK BOLT 3 HILTI KWIK HUS DEWALT SCREW-BOLT+	1/2" Ø x 3 1/2" MIN. EMBEDMENT
BOTTOM SHOE		1/2" Ø x 2 1/2" MIN. EMBEDMENT

Compliant with load requirements of all Canadian Provincial Regulations for Construction Projects.

Please inquire regarding compliance in other jurisdictions or for special case scenarios.

System capacity is subject to layout & installation in accordance with the sealed site-specific typical drawing(s).

Refer to manual for complete installation instructions.

ALL MEASUREMENTS IN mm, U.N.O.

Frame Leg	62.5 kg
Netting (per m)	6.25 kg