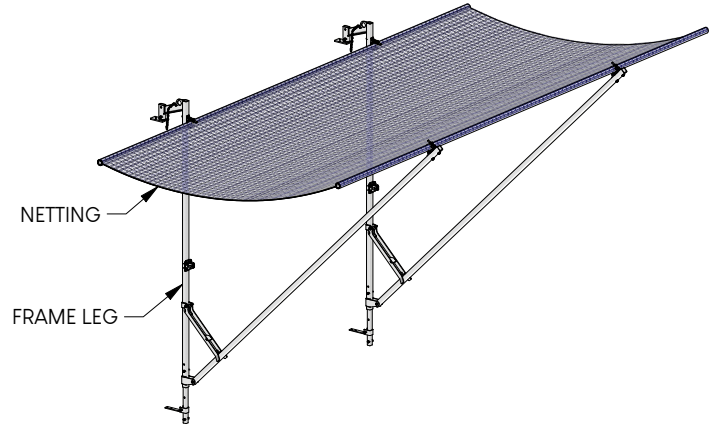
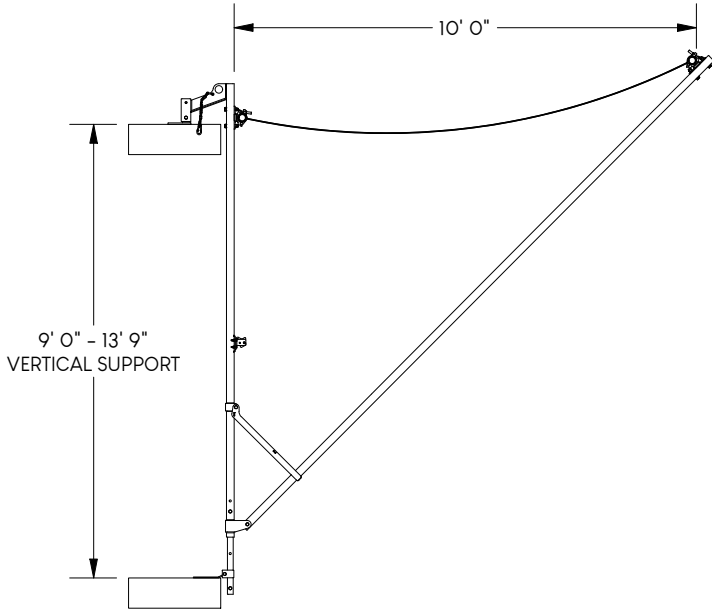


SPEED FAN

SF

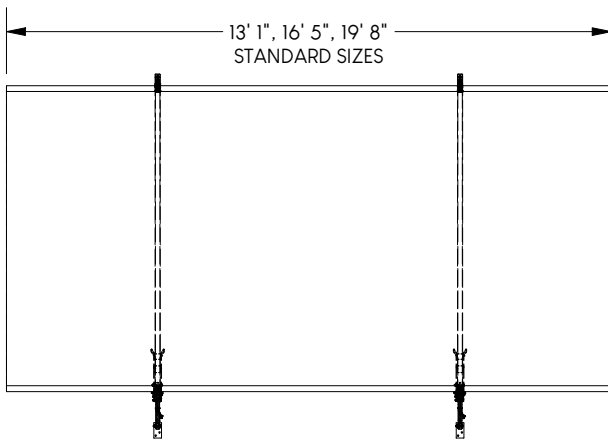
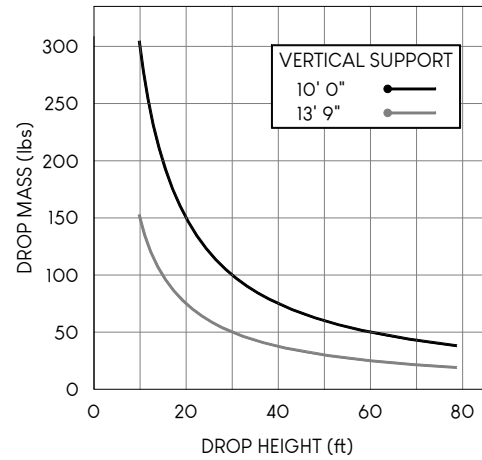
Extended Horizontal Debris Net



DESIGN LOADS:

- MAXIMUM WIND LOAD.....16.7 psf
- MINIMUM SLAB CONCRETE STRENGTH.....3600 psi

SYSTEM CAPACITY



CONCRETE FASTENER OPTIONS

TOP SHOE / ANCHOR POINT	HILTI KWIK BOLT 3 HILTI KWIK HUS DEWALT SCREW-BOLT+	1/2" ϕ x 3 1/2" MIN. EMBEDMENT
BOTTOM SHOE		1/2" ϕ x 2 1/2" MIN. EMBEDMENT

Compliant with all OSHA & Cal/OSHA load requirements for Construction Projects.

Please inquire regarding compliance in other jurisdictions or for special case scenarios.

System capacity is subject to layout & installation in accordance with the sealed site-specific typical drawing(s).

Refer to manual for complete installation instructions.

ALL MEASUREMENTS IN inches, U.N.O.

Frame Leg	137.8 lbs
Netting (per m)	13.8 lbs