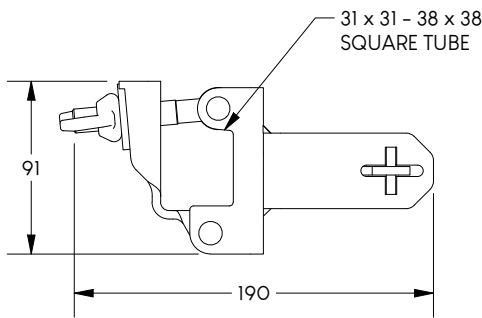
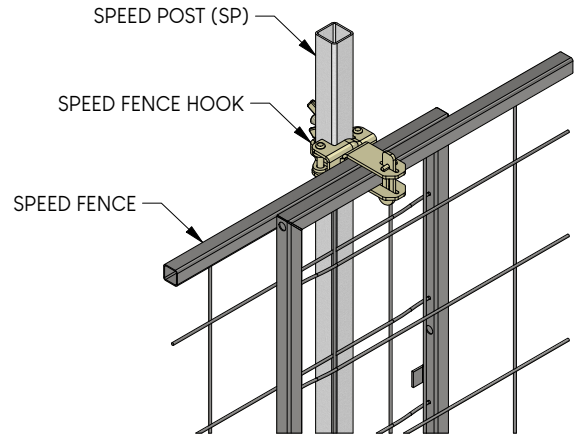
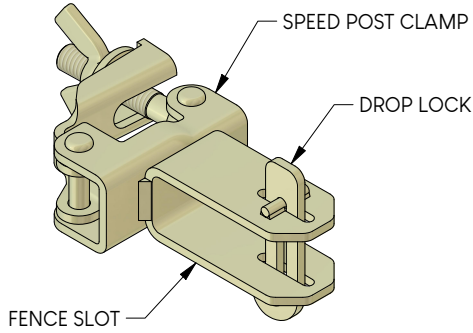


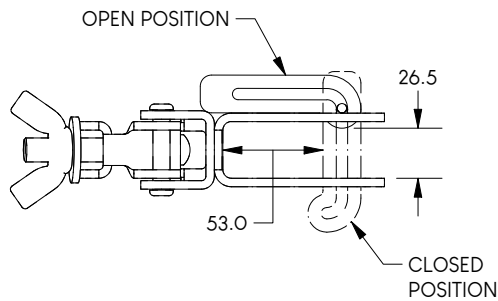
SPEED FENCE HOOK

SFH

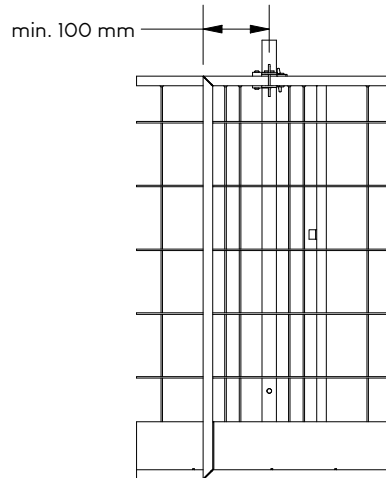
Perimeter Fence Locking Hook



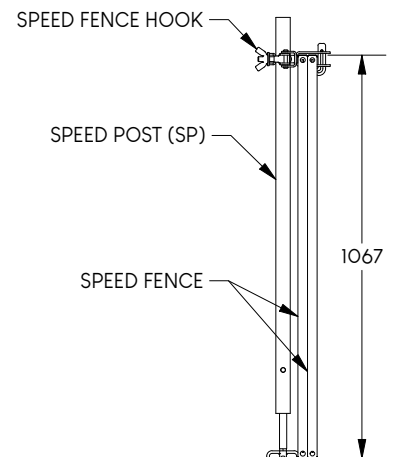
TOP VIEW



SIDE VIEW



APPLICATION DETAILS (FRONT ELEVATION)



APPLICATION DETAILS (SIDE ELEVATION)

Compliant with load requirements of all Canadian Provincial Regulations for Construction Projects.

Please inquire regarding compliance in other jurisdictions or for special case scenarios.

Refer to manual for complete installation instructions.

ALL MEASUREMENTS IN mm, U.N.O.

Weight	0.9 kg
--------	--------