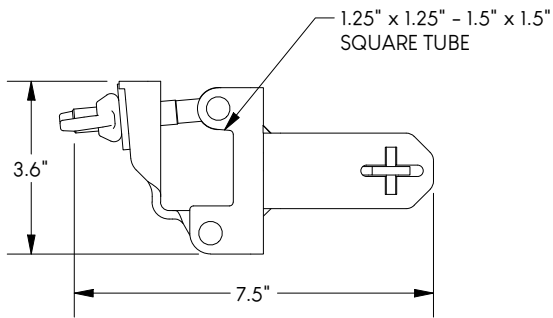
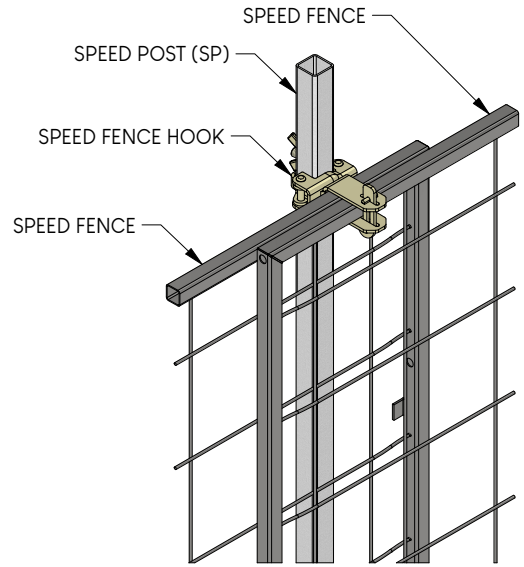
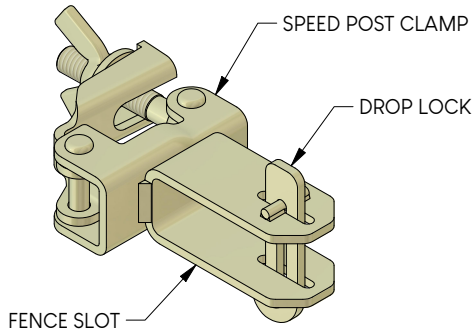


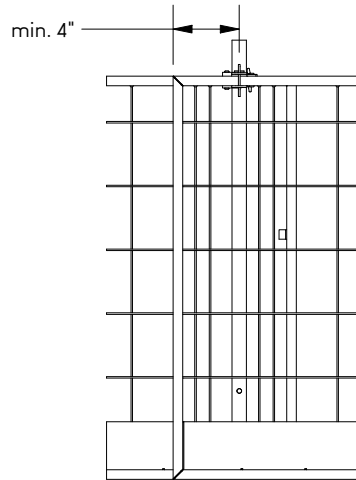
SPEED FENCE HOOK

SFH

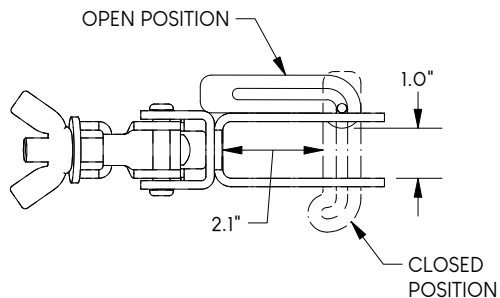
Perimeter Fence Locking Hook



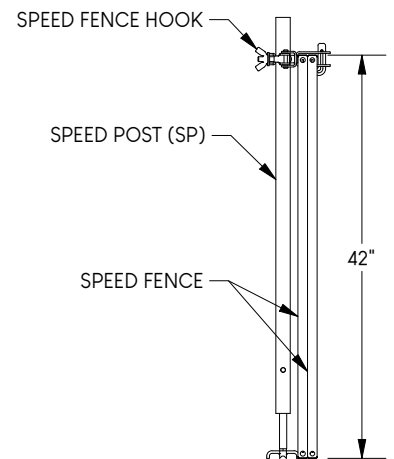
TOP VIEW



APPLICATION DETAILS (FRONT ELEVATION)



SIDE VIEW



APPLICATION DETAILS (SIDE ELEVATION)

Compliant with all OSHA & Cal/OSHA load requirements for Construction Projects.
 Please inquire regarding compliance in other jurisdictions or for special case scenarios.
 Refer to manual for complete installation instructions.

ALL MEASUREMENTS IN inches, U.N.O.

Weight	2.0 lbs
--------	---------