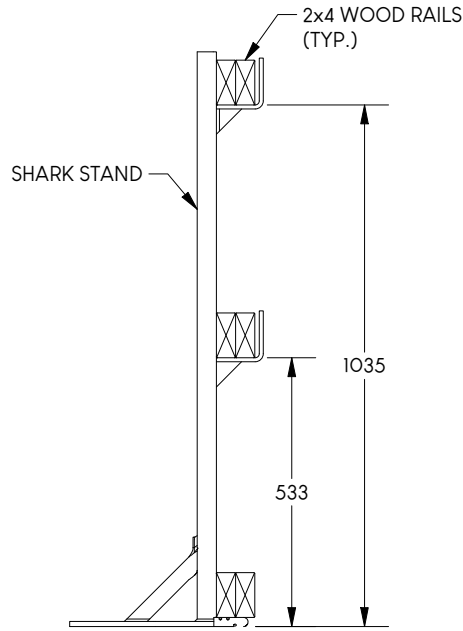
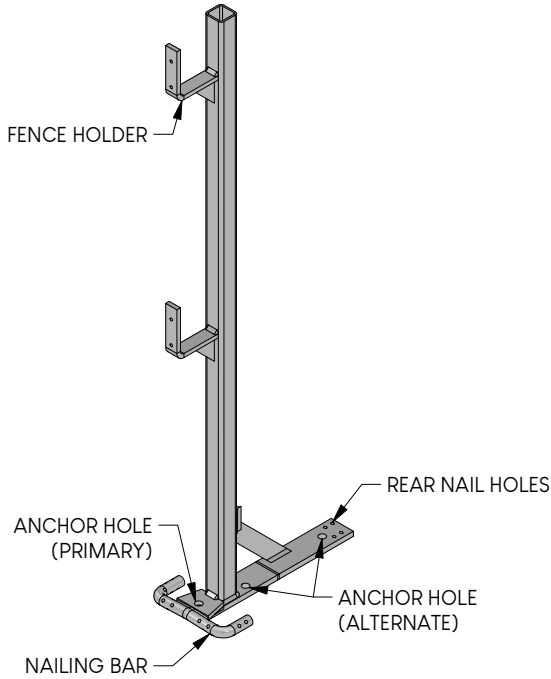


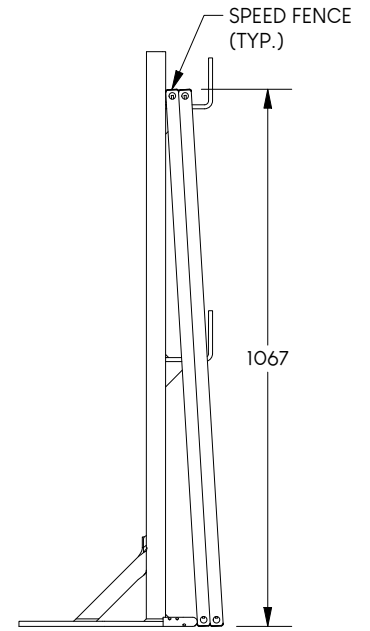
SHARK STAND

SS

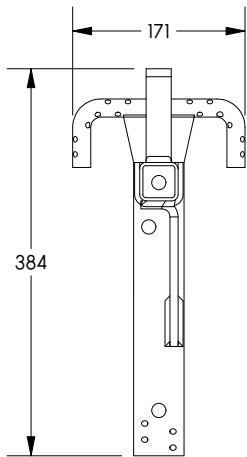
Slab-Anchored Guardrail Post



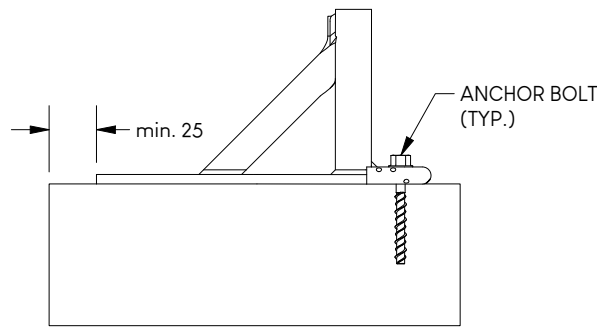
WOOD RAIL APPLICATION



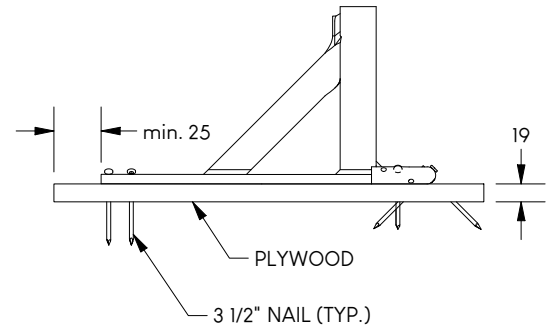
SPEED FENCE APPLICATION



TOP VIEW



FASTENING TO CONCRETE



FASTENING TO PLYWOOD

Compliant with load requirements of all Canadian Provincial Regulations for Construction Projects.

*Maximum post spacing applies when the guardrail system consists of only Speed Edge products.

Please inquire regarding compliance in other jurisdictions or for special case scenarios.

Refer to manual for complete installation instructions.

ALL MEASUREMENTS IN mm, U.N.O.

Weight	6.8 kg
Max. spacing	2743 mm