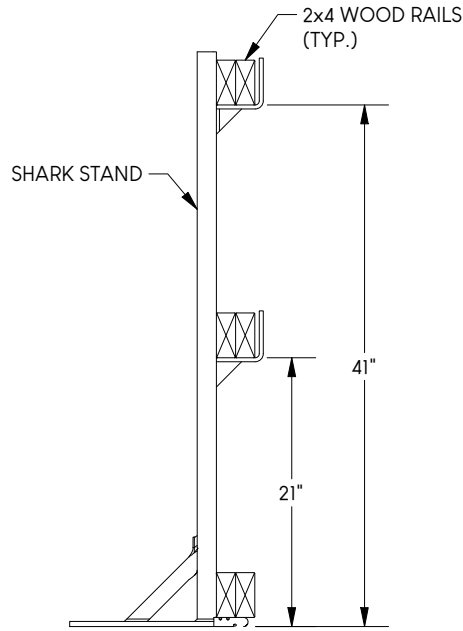
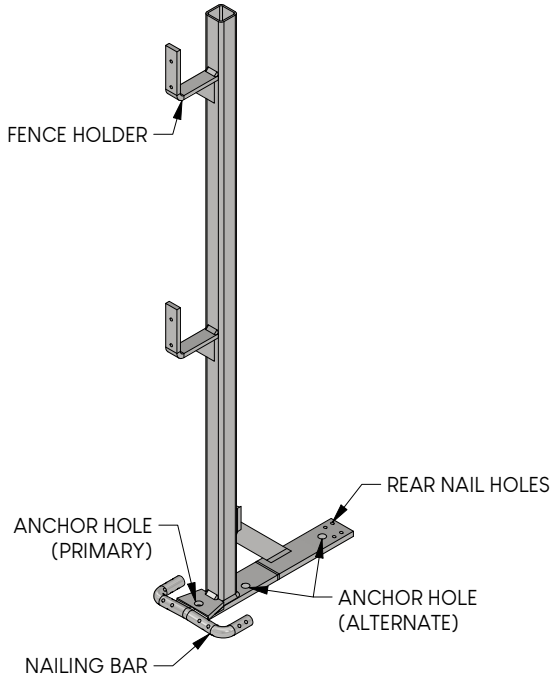


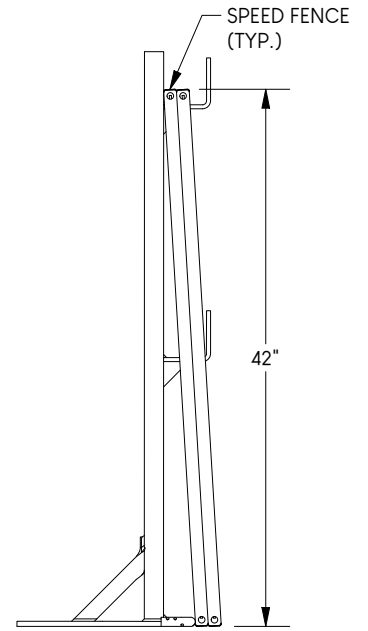
SHARK STAND

SS

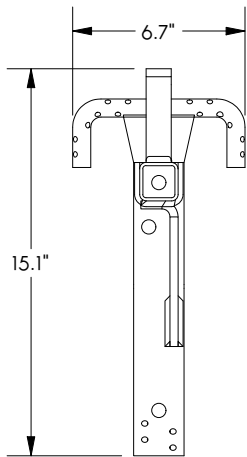
Slab-Anchored Guardrail Post



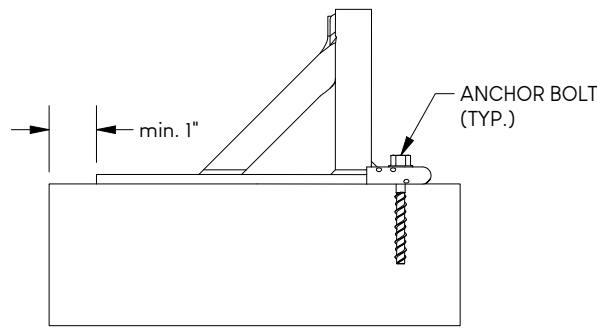
WOOD RAIL APPLICATION



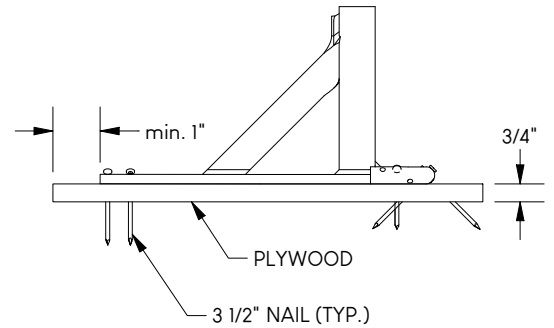
SPEED FENCE APPLICATION



TOP VIEW



FASTENING TO CONCRETE



FASTENING TO PLYWOOD

Compliant with all OSHA & Cal/OSHA load requirements for Construction Projects.

*Maximum post spacing applies when the guardrail system consists of only Speed Edge products.

Please inquire regarding compliance in other jurisdictions or for special case scenarios.

Refer to manual for complete installation instructions.

ALL MEASUREMENTS IN inches, U.N.O.

Weight	15.2 lbs
Max. spacing	9' 0"