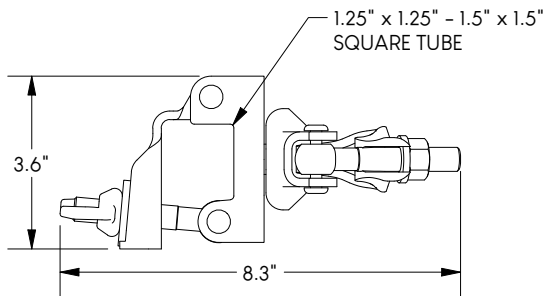
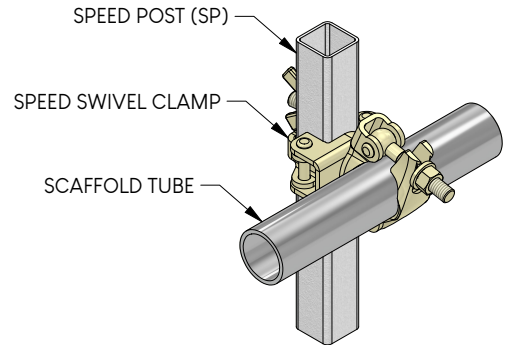
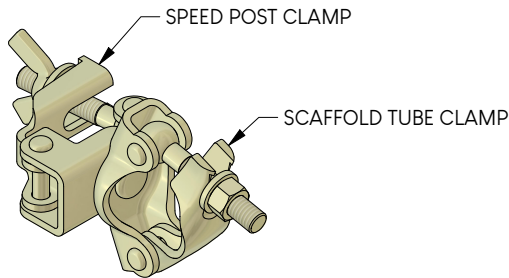


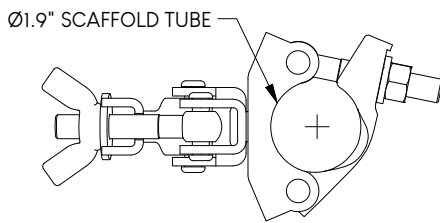
SPEED SWIVEL CLAMP

SSC

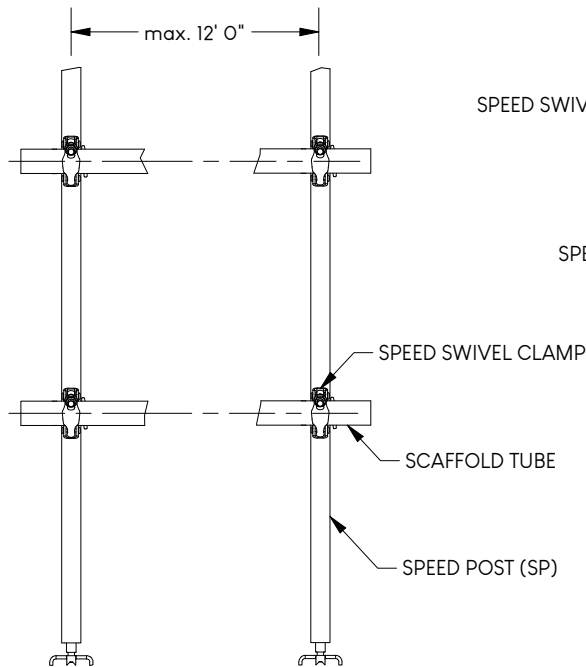
Scaffold Tube Mounting Clamp



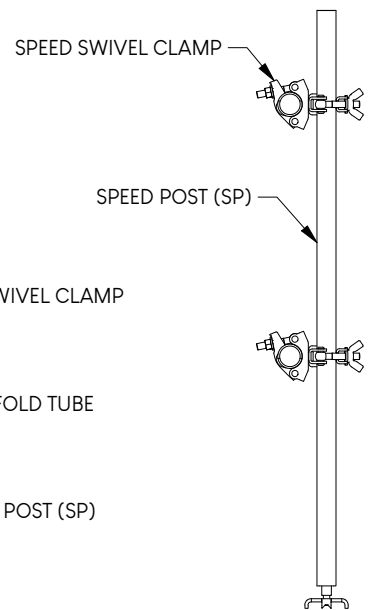
TOP VIEW



SIDE VIEW



APPLICATION DETAILS
(FRONT ELEVATION)



APPLICATION DETAILS
(SIDE ELEVATION)

Compliant with all OSHA & Cal/OSHA load requirements for Construction Projects.
 Maximum span indicated only applies when the guardrail supports are Speed Edge products.
 Please inquire regarding compliance in other jurisdictions or for special case scenarios.
 Refer to manual for complete installation instructions.

ALL MEASUREMENTS IN inches, U.N.O.

Weight	2.4 lbs
--------	---------