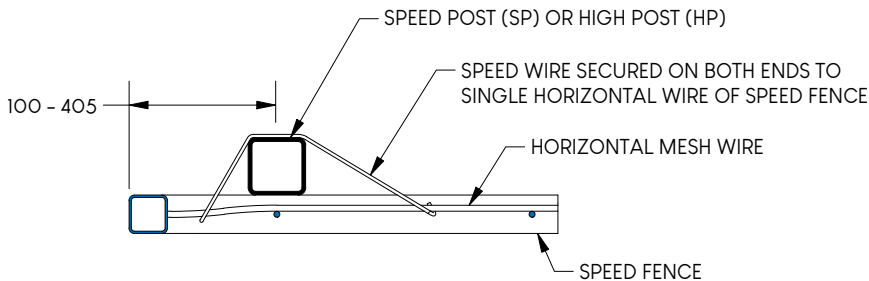
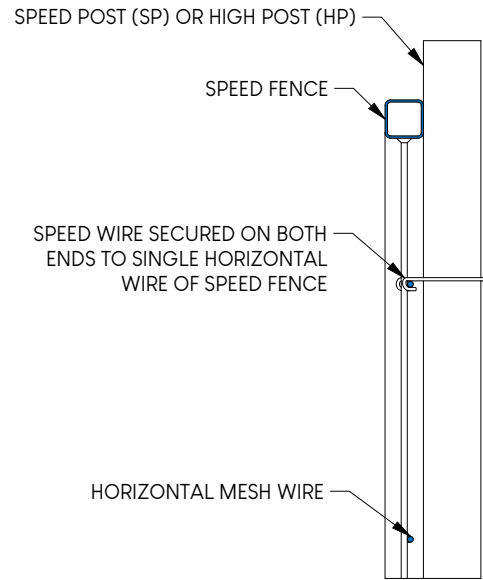
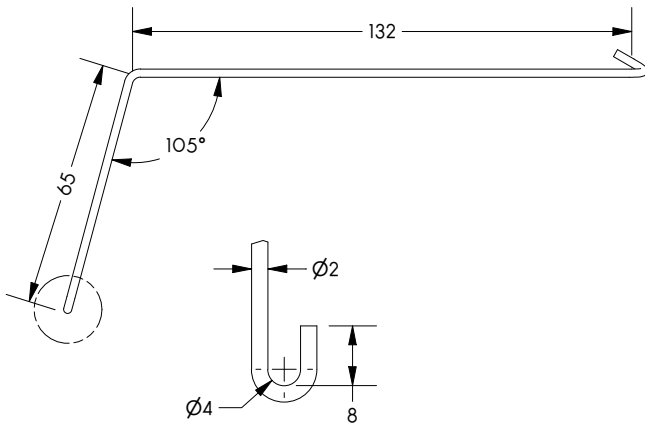
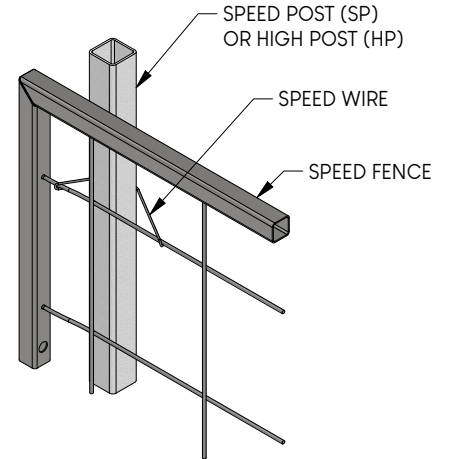


SPEED WIRE

SW

Speed Fence Connection Wire



APPLICATION DETAILS
[TOP VIEW]

APPLICATION DETAILS
[SIDE VIEW]

Compliant with load requirements of all Canadian Provincial Regulations for Construction Projects.

Please inquire regarding compliance in other jurisdictions or for special case scenarios.

Refer to manual for complete installation instructions.

ALL MEASUREMENTS IN mm, U.N.O.

Weight	0.006 kg
--------	----------