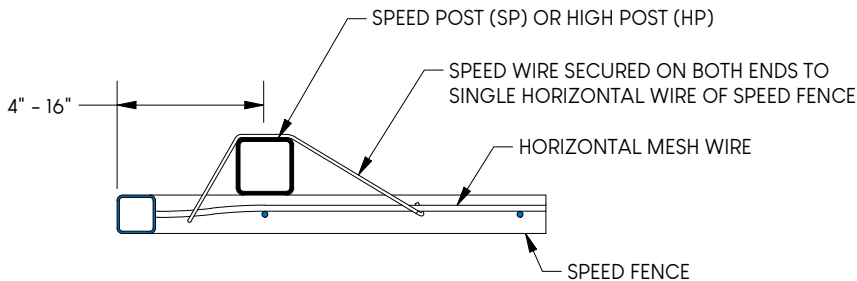
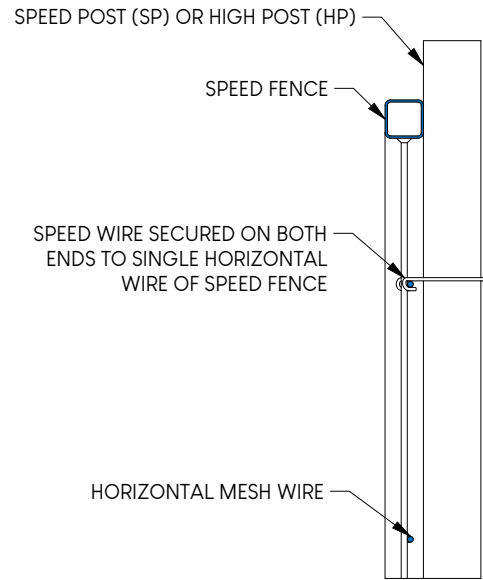
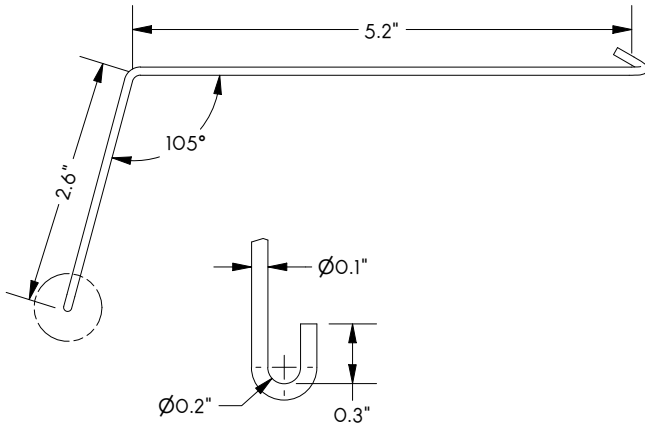
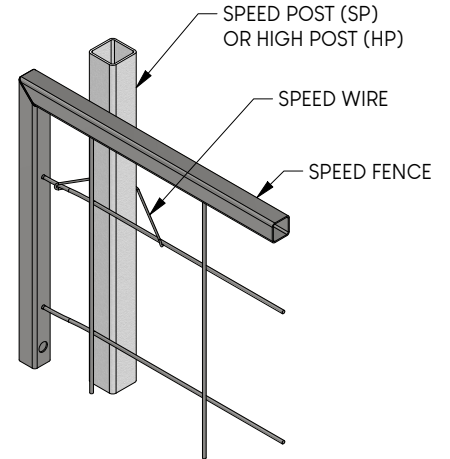


SPEED WIRE

SW

Speed Fence Connection Wire



APPLICATION DETAILS
[TOP VIEW]

APPLICATION DETAILS
[SIDE VIEW]

Compliant with all OSHA & Cal/OSHA load requirements for Construction Projects.
Please inquire regarding compliance in other jurisdictions or for special case scenarios.
Refer to manual for complete installation instructions.

ALL MEASUREMENTS IN inches, U.N.O.

Weight	0.2 oz
--------	--------