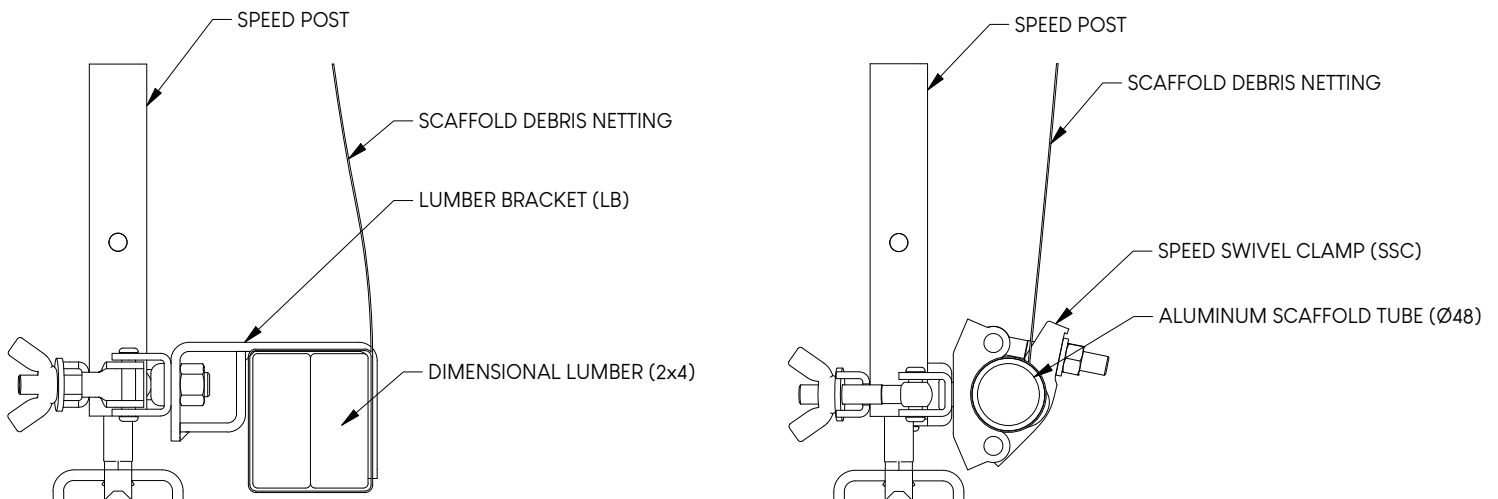
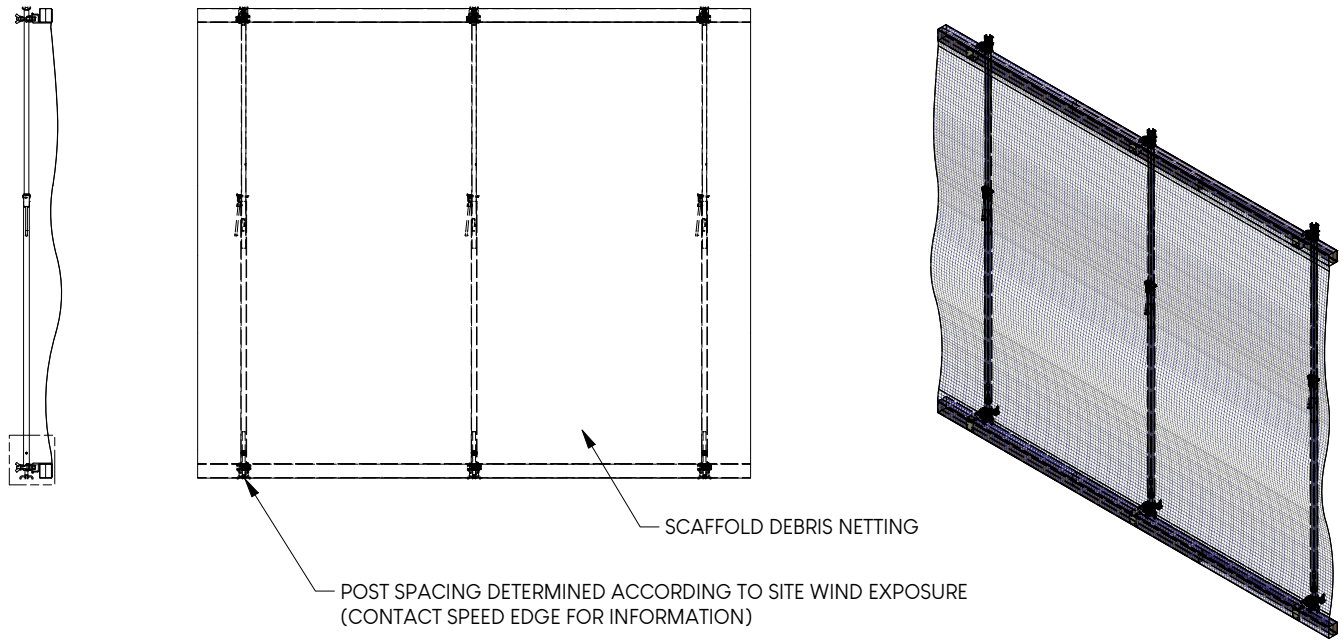


VERTICAL DEBRIS NETTING

VDN

Temporary Perimeter Debris Protection for High-Rise Construction



OPTION TO USE LUMBER BRACKET (LB) WITH DIMENSIONAL LUMBER RAILS OR SPEED SWIVEL CLAMP (SSC) WITH SCAFFOLD TUBING

Compliant with load requirements of all Canadian Provincial Regulations for Construction Projects.

Please inquire regarding compliance in other jurisdictions or for special case scenarios.

Refer to manual for complete installation instructions.

ALL MEASUREMENTS IN mm, U.N.O.