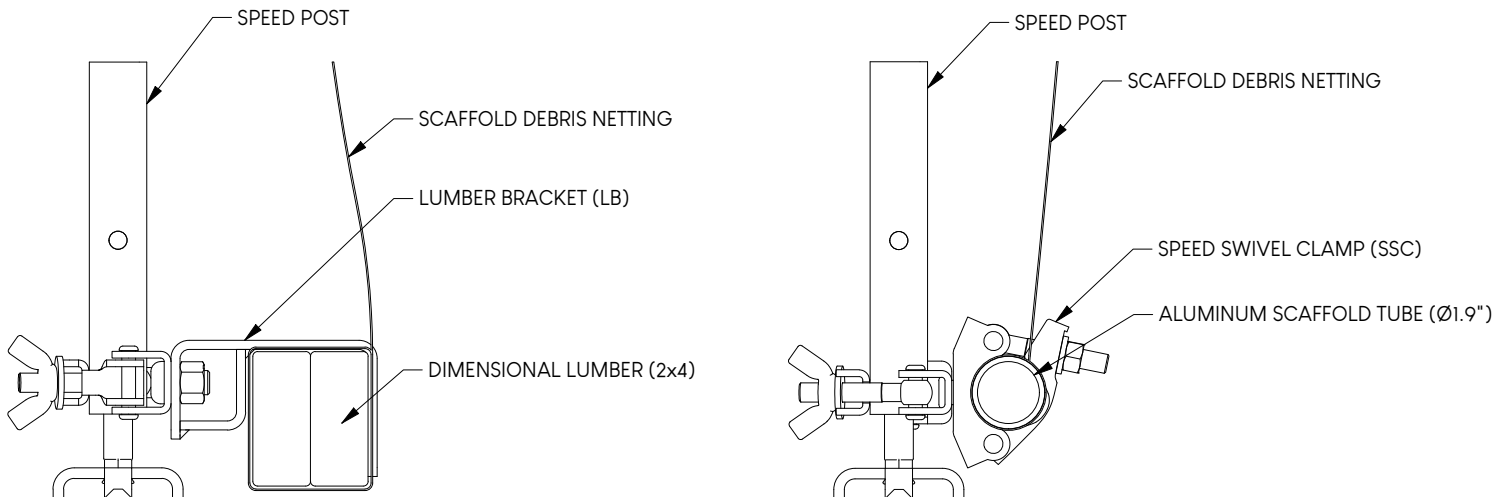
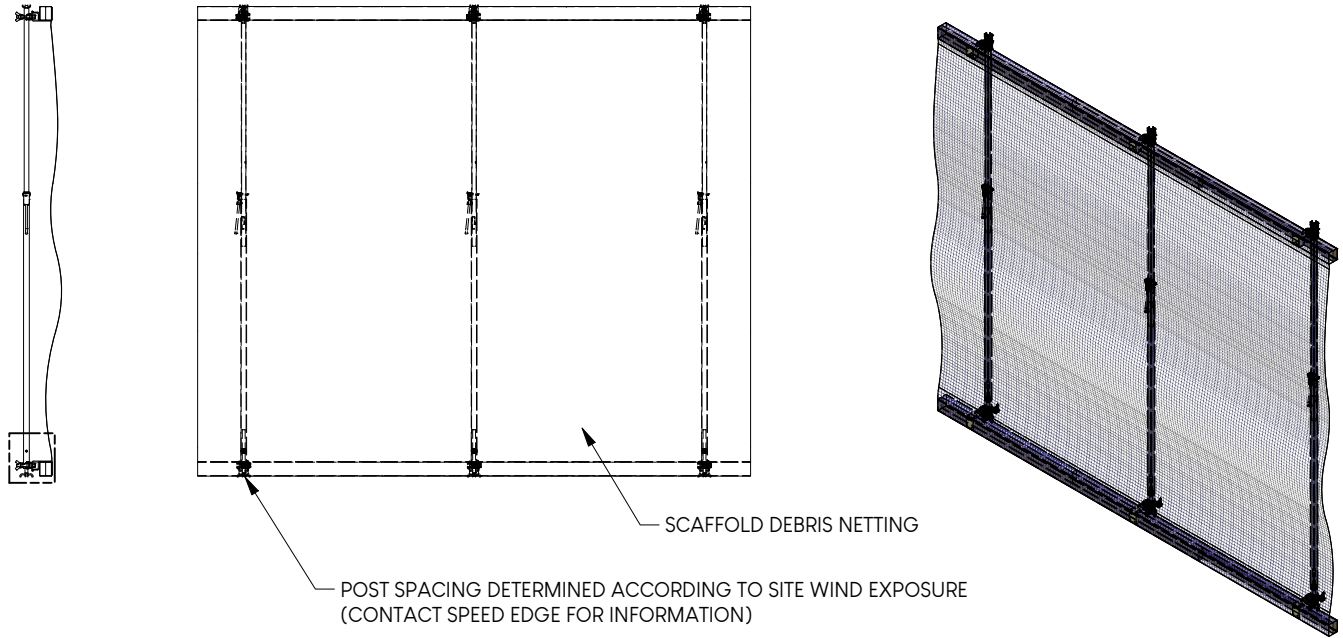


VERTICAL DEBRIS NETTING

VDN

Temporary Perimeter Debris Protection for High-Rise Construction



OPTION TO USE LUMBER BRACKET (LB) WITH DIMENSIONAL LUMBER RAILS OR SPEED SWIVEL CLAMP (SSC) WITH SCAFFOLD TUBING

Compliant with all OSHA & Cal/OSHA load requirements for Construction Projects.
Please inquire regarding compliance in other jurisdictions or for special case scenarios.
Refer to manual for complete installation instructions.

ALL MEASUREMENTS IN inches, U.N.O.